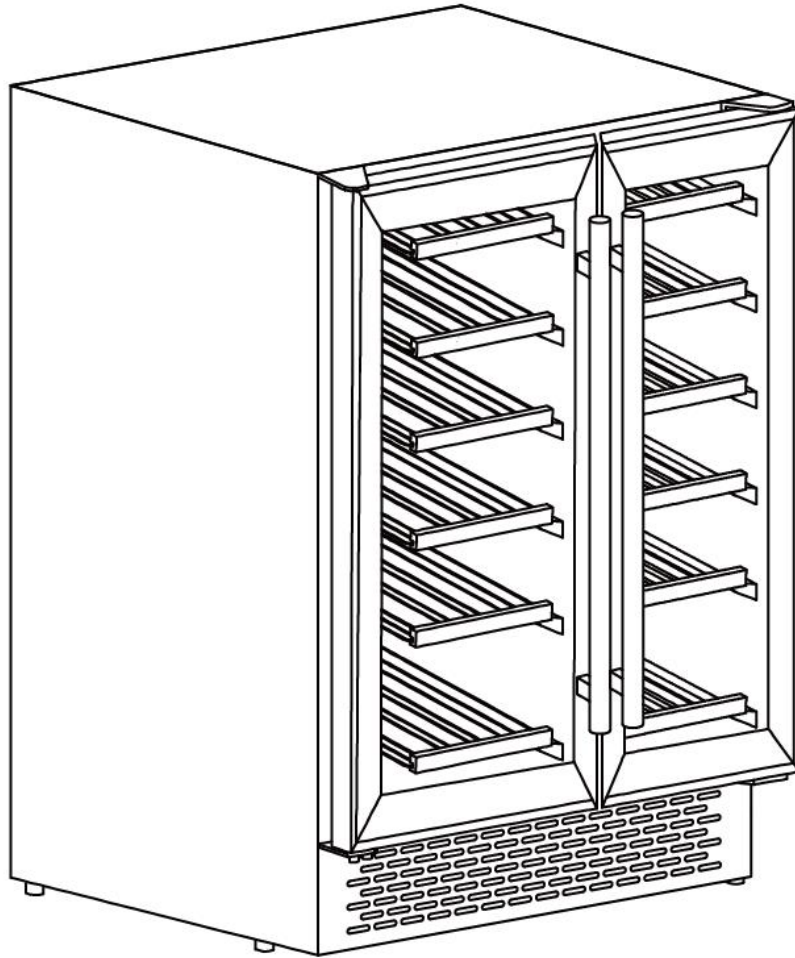


# USER MANUAL

## WC60DDF series



Thanks for choosing our products, hope that our products can bring you different feelings. Please read the following safety and operating instructions carefully before using the wine cooler.

## TABLE OF CONTENTS

WINE CELLAR SAFETY	3
IMPORTANT SAFEGUIDES	4
REFRIGERANT GAS WARNINGS	5
PARTS BREAKDOWN	6
BUILT-IN INSTALLATION DRAWING	6
IMPORTANT SAFETY INSTRUCTIONS	7
OPERATING YOUR WINE CELLAR	7
Recommended temperature settings	7
Temperature setting	7
Warning	8
Shelves	8
Door handle installation	8
Care and Maintenance	9
Power failure	9
Moving your wine cellar	9
Energy saving tips	9
Recycling and disposal	9
Charcoal filtration system	10
TROUBLESHOOTING GUIDE	10

## WINE CELLAR SAFETY

Your safety and the safety of others are very important.

We have provided many important safety messages in this manual and on your appliance. Always read and obey all safety messages.



**T**his is the Safety Alert Symbol. This symbol alerts you to potential hazards that can kill or injure you and others. All safety messages will follow the Safety Alert Symbol and either the words “DANGER”, “WARNING” or “CAUTION”.



**D**anger means that failure to heed this safety statement may result in severe personal injury or death.



**W**arning means that failure to heed this safety statement may result in extensive product damage, serious personal injury, or death.



**C**autious means that failure to heed this safety statement may result in minor or moderate personal injury, or property or equipment damage.

All safety messages will alert you do what the potential hazard is, tell you how to reduce the chance of injury, and let you know what can happen if the instructions are not followed.

## IMPORTANT SAFEGUIDES



Before the appliance is used, it must be properly positioned and installed as described in this manual, so read the manual carefully. To reduce the risk of fire, electrical shock or injury when using the appliance, follow basic precaution, including the following:



- **P**lug into a grounded 3-prong outlet, do not remove grounding prong, do not use an adapter, and do not use an extension cord.
- **R**eplace all panels before operating.
- **N**ever clean appliance parts with flammable fluids. These fumes can create a fire hazard or explosion. And do not store or use gasoline or other flammable vapours and liquids in the vicinity of this or any other appliance. The fumes can create a fire hazard or explosion.
- **D**o not connect or disconnect the electric plug when your hands are wet.
- **U**nplug the appliance or disconnect power before cleaning or servicing. Failure to do so can result in electrical shock or death.
- **D**o not attempt to repair or replace any part of your appliance unless it is specifically recommended in this instruction manual. All other servicing should be referred to a qualified technician.



The symbol is a warning symbol for risk of fire/flammable material.

**W**ARNING: When positioning the appliance, ensure the supply cord is not trapped or damaged.

**W**ARNING: Do not locate multiple portable socket-outlets or portable power supplies at the rear of the appliance.

 **WARNING** 

- **U**se two or more people to move and install appliance. Failure to do so can result in back or other injury. To ensure proper ventilation for your appliance, the front of the unit must be completely unobstructed. Choose a well-ventilated area with temperatures above 16°C (60°F) and below 32°C (90°F). This unit must be installed in an area protected from the element, such as wind, rain, water spray or drips.
- **T**he appliance should not be located next to ovens, grills or other sources of high heat.
- **T**he appliance must be installed with all electrical, water and drain connections in accordance with state and local codes. A standard electrical supply (220 - 240V/50Hz), properly grounded in accordance with the National Electrical Code and local codes and ordinances is required.
- **D**o not kink or pinch the power supply cord of appliance.
- **T**he fuse (or circuit breaker) size should be 13 amperes.
- **I**t is important for the appliance to be leveled in order to work properly. You may need to make several adjustments to level it.
- **N**ever allow children to operate, play with or crawl inside the appliance.
- **D**o not use solvent-based cleaning agents or abrasives on the interior. These cleaners may damage or discolor the interior.
- **D**o not use this apparatus for other than its intended purpose.

 **FLAMMABLE REFRIGERANT GAS** 

**DANGER** - Risk of fire or explosion. Flammable refrigerant used.  
**DO NOT use mechanical devices to defrost refrigerator. DO NOT puncture refrigerant tubing.**

**DANGER** - Risk of fire or explosion. Flammable refrigerant used. To be repaired only by trained service personnel. **DO NOT puncture refrigerant tubing.**

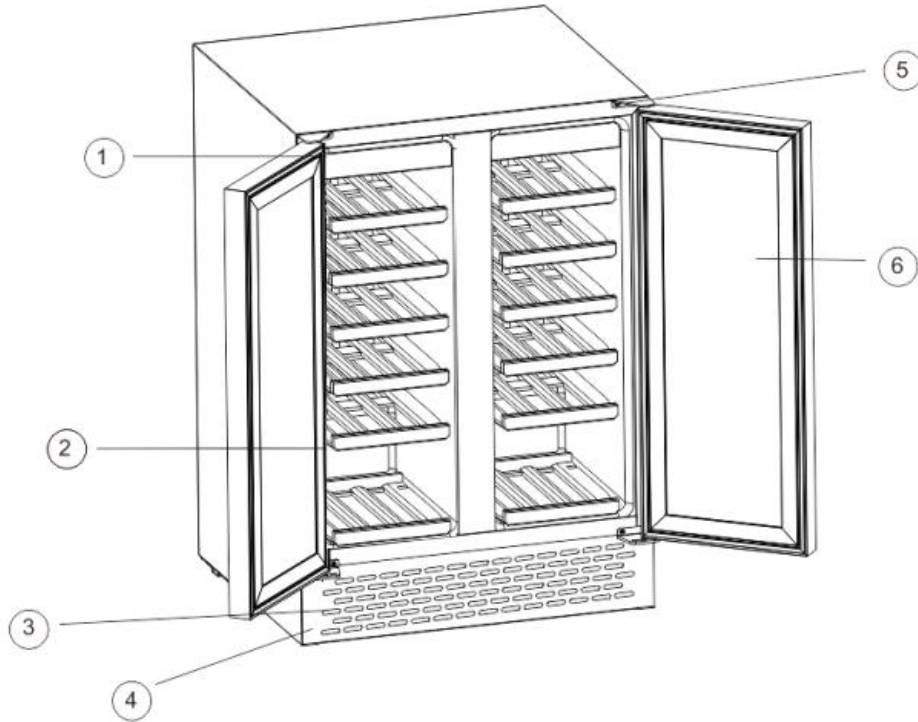
**CAUTION** - Risk of fire or explosion. Flammable refrigerant used. Consult repair manual / owner's guide before attempting to service this product. All safety precautions must be followed.

**CAUTION** - Risk of fire or explosion. Dispose of property in accordance with federal or local regulations. Flammable refrigerant used.

**CAUTION** - Risk of fire or explosion due to puncture of refrigerant tubing. Follow handling instructions carefully. Flammable refrigerant used.

**CAUTION** - To prevent a child from being entrapped, keep out of reach of children and not in the vicinity of the cooler.

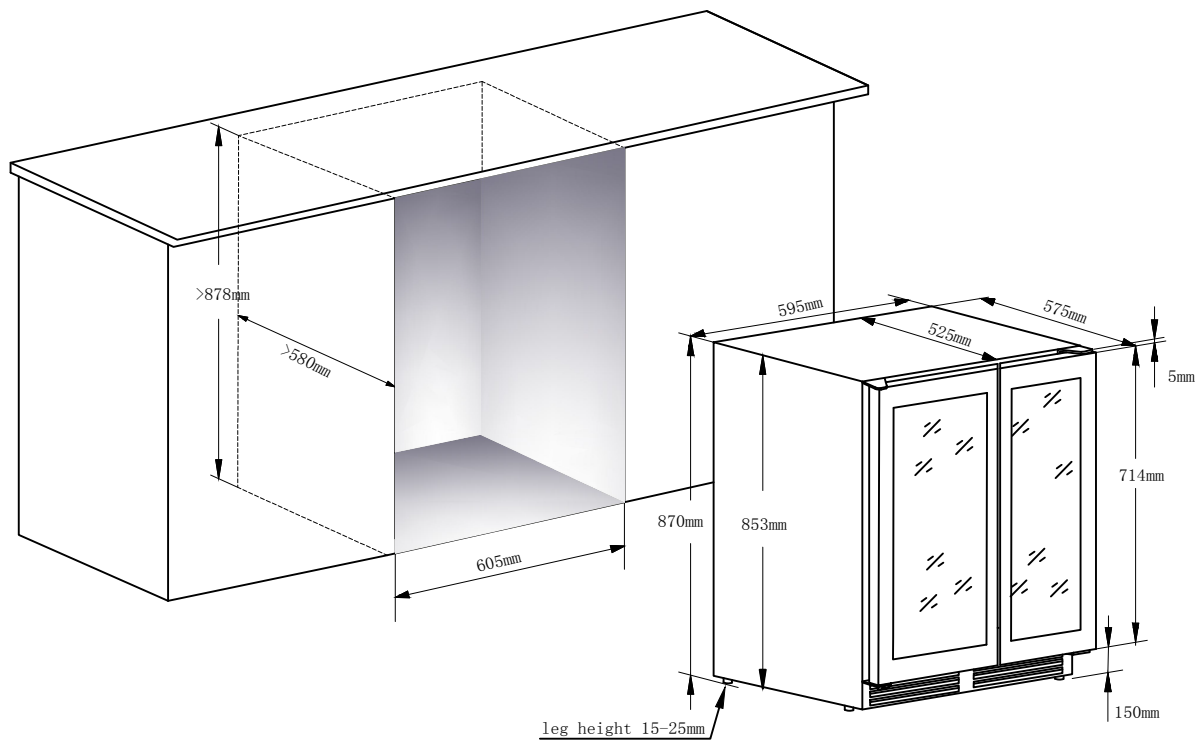
## PARTS BREAKDOWN



- |   |                |   |                        |
|---|----------------|---|------------------------|
| 1 | Control Panel  | 4 | Leveling Legs          |
| 2 | Wooden Shelves | 5 | Top Hinge              |
| 3 | Kick plate     | 6 | Glass Door with Handle |

## Built-in installation drawing

### WC60DDF



## IMPORTANT SAFETY INSTRUCTIONS



To reduce the risk of fire, electrical shock, or injury when using your appliance, follow these basic precautions:

- **R**ead all instructions before using the wine cellar.
- **D**ANGER or **W**ARNING: Risk of child entrapment.  
Child entrapment and suffocation are not problems of the past. Junked or abandoned appliances are still dangerous.
- **B**efore you throw away your old wine cellar, take off the door but leave the shelves in place so that children may not easily climb inside.
- **N**ever allow children to operate, play with, or crawl inside the appliance.
- **N**ever clean appliance parts with flammable fluids. The fumes can create a fire hazard or explosion.
- **D**o not store or use gasoline or any other flammable vapours and liquids in the vicinity of this or any other appliance. The fumes can create a fire hazard or explosion.

-Save these instructions-

## OPERATING YOUR WINE CELLAR

It is recommended you install the wine cellar in a place where the ambient temperature is between 19°C-24°C (66°F-75°F), and humidity is under 60%. If the ambient temperature is above or below recommended temperatures, the performance of the unit may be affected. For example, placing your unit in extreme cold or hot conditions may cause interior temperatures to fluctuate.

### Recommended temperature settings

**Wine conservation:** 12°C-14°C (53°F-57°F)

**Rose and sparkling wines:** 5°C-8°C (41°F-46°F)

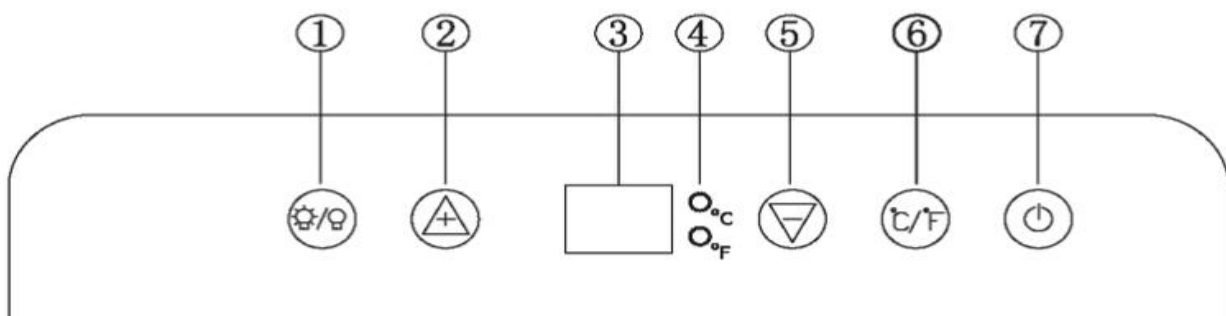
**Dry/white wines:** 9°C-12°C (48°F-53°F)





**Red wines:** 14°C-18°C (59°F-65°F)

\*Temperature °C may varies between  $\leq \pm 2$  °C

### Temperature setting

**WC60DDF**



	Turns the interior light on or off
	Adjusts the temperature in 1 degree increments 5-22°C (41°F -71°F)
	Press for 3 seconds, Toggles the temperature display between Celsius and Fahrenheit
	Press to turn on/off the appliance

**WARNING:**

- If the appliance is power off suddenly. Please turn on the appliance after 3-5 minutes later. The temperature setting is with automatic memory function.
- If it is the first time to use this appliance, it is normal that the preset temperature and display temperature is different. Everything will back to normal after few hours working.

**Shelves**

To remove the shelves from the track, pull each shelf out to the shelf post, as shown in figure A. Lift it up again, then slowly pull the shelf out, as shown in figure B.

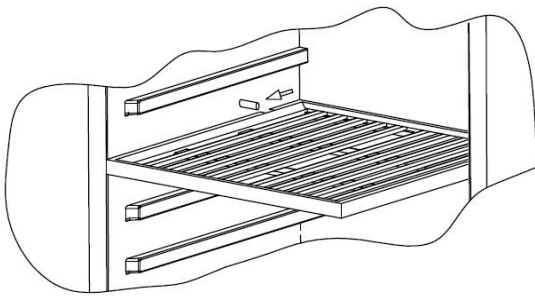


Figure A

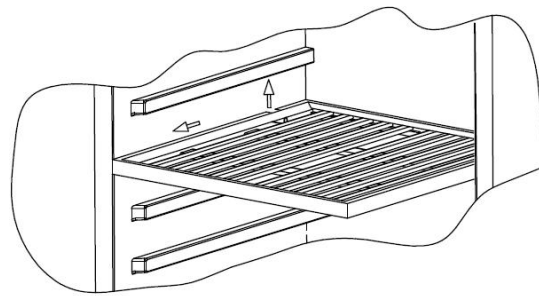


Figure B

**Door handle installation**

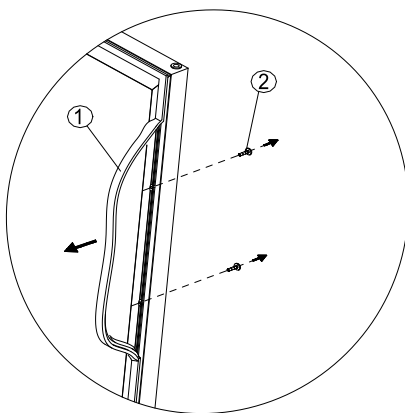


Illustration # 1

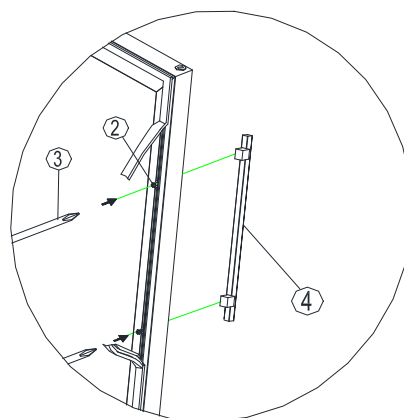


Illustration # 2

1. Gasket
2. Phillips Head Screw

3. Phillips Head Screw Driver
4. Handle

1. Pull away the door gasket in the area where the handle is to be installed on the left side as shown below in **Illustration # 1**. The gasket is easily displaced by hand, no tools are necessary.
2. Align the handle with the screws installed. Tighten the screws using a Phillips head screwdriver until the handle sets both flush and secured tightly against the door frame. (DO NOT over tighten as this will cause damage to the handle assembly).
3. Replace the door gasket to its original position.

## Care and Maintenance

### ➤ Cleaning your wine cooler

- Turn off the power, unplug the appliance, and remove all items including shelves
- Wash the inside surfaces with a warm water and soft cloth
- Wash the shelves with a mild detergent solution
- Wring excess water out of the sponge or cloth when cleaning area of the controls, or any electrical parts
- Wash the outside cabinet with warm water and mild liquid detergent. Rinse well and wipe dry with a clean soft cloth. Do not use steel wool or steel brush on the stainless steel. These will contaminate the stainless steel with steel particles and rusting may occur.

## Power failure

Most power failures are corrected within a few hours and should not affect the temperature of your appliance if you minimize the number of times the door is opened. If the power is going to be off for a longer period of time, you need to take the proper steps to protect your contents.

## Moving your wine cellar

- Remove all items (bottles)
- Tape down securely all loose items (shelves) inside your appliance.
- Turn the adjustable leg up to the base to avoid damage.
- Tape the door shut. Be sure the appliance stays secure in the upright position during transportation. If you absolutely need to transport the cellar horizontally, transport the cellar on its back (door on top). Also protect outside of appliance with a blanket, or similar item.

## Energy saving tips

The wine cellar should be located in the coolest area of the room, away from heat producing appliances, and out of the direct sunlight.

## Recycling and disposal

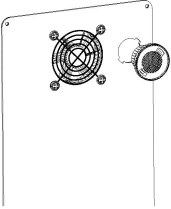
Waste electrical products (WEEE) should not be disposed of with household waste. Please recycle where facilities exist. Check with your local governmental authority, domestic waste disposal services or the retailer where the product was bought for recycling advice. The wheellie bin symbol on the product or its packaging indicates that this product cannot be treated as normal household waste. This product must be handed over to an electric and electronic equipment collection point for recycling. On ensuring that this product is disposed

of correctly, you will help to avoid possible negative consequences for the environment and public health, which could occur if this product is not handled correctly.



## Charcoal filtration system

Your wine is a living object that breathes through the cork of its bottle. In order to preserve the quality and taste of your fine wines, they must be stored at the ideal temperature and ambient conditions. Your cellar is equipped with an active charcoal filtration system to ensure air purity, cooling efficiency, and to maintain an odor free cabinet for the storage of your fine wines. The filter assembly is located at the rear panel inside your cellar. Keep in mind, that this filter must be changed every 12 months.

1	Remove the bottles of wine stored on the two (2) shelves in front of the filter.	 <p>Turn Left to remove filter.</p>
2	Remove the shelves and set aside to be replaced once you have changed the filter	
3	Hold the filter and turn it at 45 degrees in the counter-clockwise direction and then pull it out.	
4	Remove the existing filter and replace with a new one.	
5	Put the new filter into the hole and then turn the filter at 45 degrees in clockwise direction.	

## TROUBLESHOOTING GUIDE

You can solve many common wine cellar problems easily, saving you the cost of a possible service call. Try the suggestions below to see if you can solve the problem before calling the service.

<b>PROBLEM</b>	<b>POSSIBLE CAUSE</b>
Wine cooler does not operate.	Not plugged in. The appliance is turned off. The circuit breaker tripped or a blown fuse.
Wine cooler is not cold enough.	External environment may require a higher setting. The door is opened too often. The door is not closed completely. The door gasket does not seal properly.
The compressor turns on and off frequently.	The room temperature is hotter than normal. A lots of bottles has been added to the cellar. The door is opened too often. The door is not closed completely. The temperature control is not set correctly. The door gasket does not seal properly.
The light does not work	Not plugged in. The circuit breaker tripped or a blown fuse. The light button is "OFF".
Vibrations.	The cellar is not leveled The bottles are vibrating. There is an object under the cellar.
The cellar seems to make too much noise.	The flow of refrigerant is normal The circulation of the refrigeration The cellar is not level.
The door will not close properly.	The cellar is not level. The door was reversed and not properly installed. The gasket is dirty. The shelves are out of position.

## TECHNICAL DATA

Category		Data
Model Number		WC60DDF Models
Category		10
Energy efficiency class		F
Annual Energy Consumption, AEC *		115kWh/annum
Volume (litres)		120L
Operating temperature		5-22°C
Climate Class **		SN/N/ST
Rated Noise		39 dB(A)
Airborne acoustical noise emission class		C
Material	Case	Steel
	Door	Glass
Unit Dimension (W×H×D)(mm)		595*575*870
Maximum ambient temperature		32° C
Minimum ambient temperature		10° C
Rated Voltage		220V-240VAC
Rated Frequency		50Hz
Input power		110W
Protection class		I
Airborne acoustical noise emissions (dB(A) re 1 pW)		39
Annual energy consumption(kWh/a)		115
EEI		125
Low-noise appliance:		No
Wine storage appliance:		Yes
Design type:		Built-under
Other refrigerating appliance:		No
Winter setting		No